

1 2 3 4 5 6

A

A

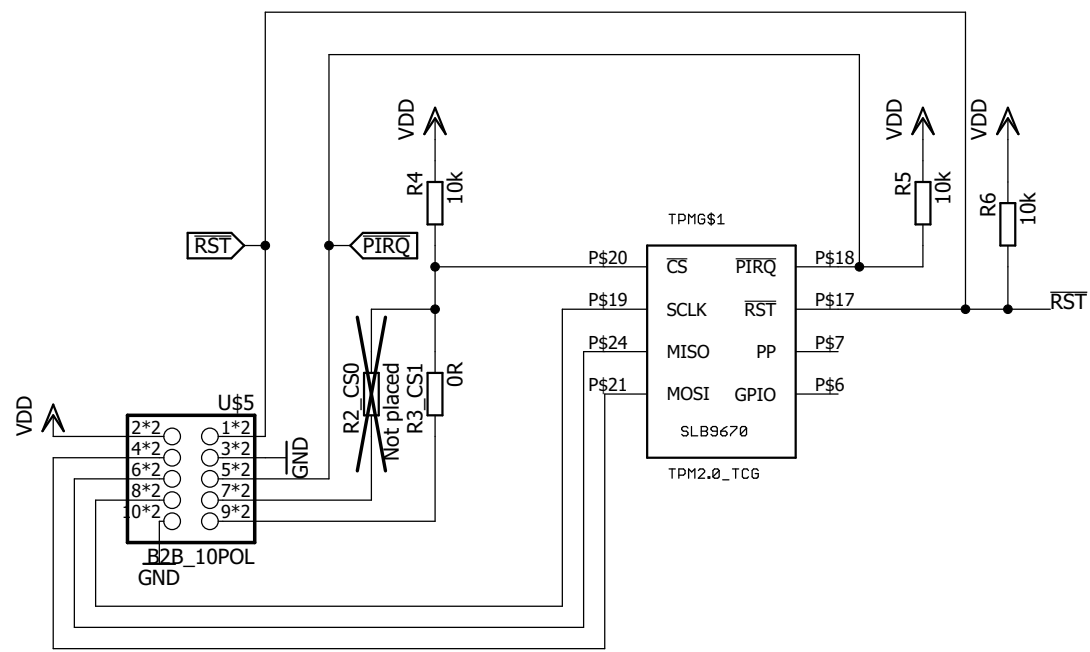
Legend

PIN			Function		PIN		
LetsTrust_Pin 2	Pi_Pin 17	Pi_3V3	VCC +3V3	RESET	Pi_GPIO_24	Pi_Pin 18	LetsTrust_Pin 1
LetsTrust_Pin 4	Pi_Pin 19	Pi_GPIO_10	MOSI	GND	Pi_GND	Pi_Pin 20	LetsTrust_Pin 3
LetsTrust_Pin 6	Pi_Pin 21	Pi_GPIO_09	MISO	PIRQ	Pi_GPIO_25	Pi_Pin 22	LetsTrust_Pin 5
LetsTrust_Pin 8	Pi_Pin 23	Pi_GPIO_11	SLCK	CS_0 (NC)	Pi_GPIO_8	Pi_Pin 24	LetsTrust_Pin 7
LetsTrust_Pin 10	Pi_Pin 25	Pi_GND	GND	CS_1	Pi_GPIO_7	Pi_Pin 26	LetsTrust_Pin 9

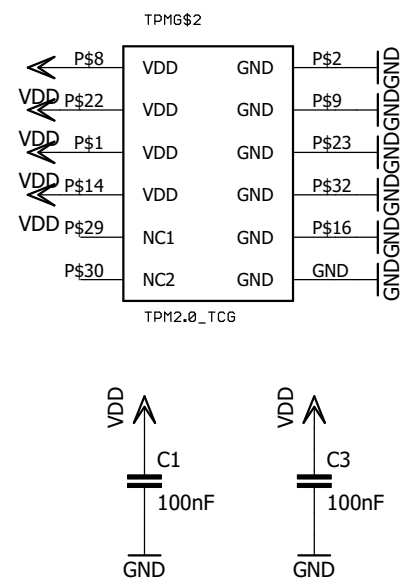
B

B

Logic



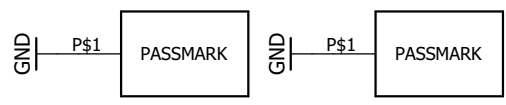
Supply



C

C

Only for production



Trust V2.0
 nicht gespeichert!
 Sheet: 1/1

1 2 3 4 5 6

D

D